

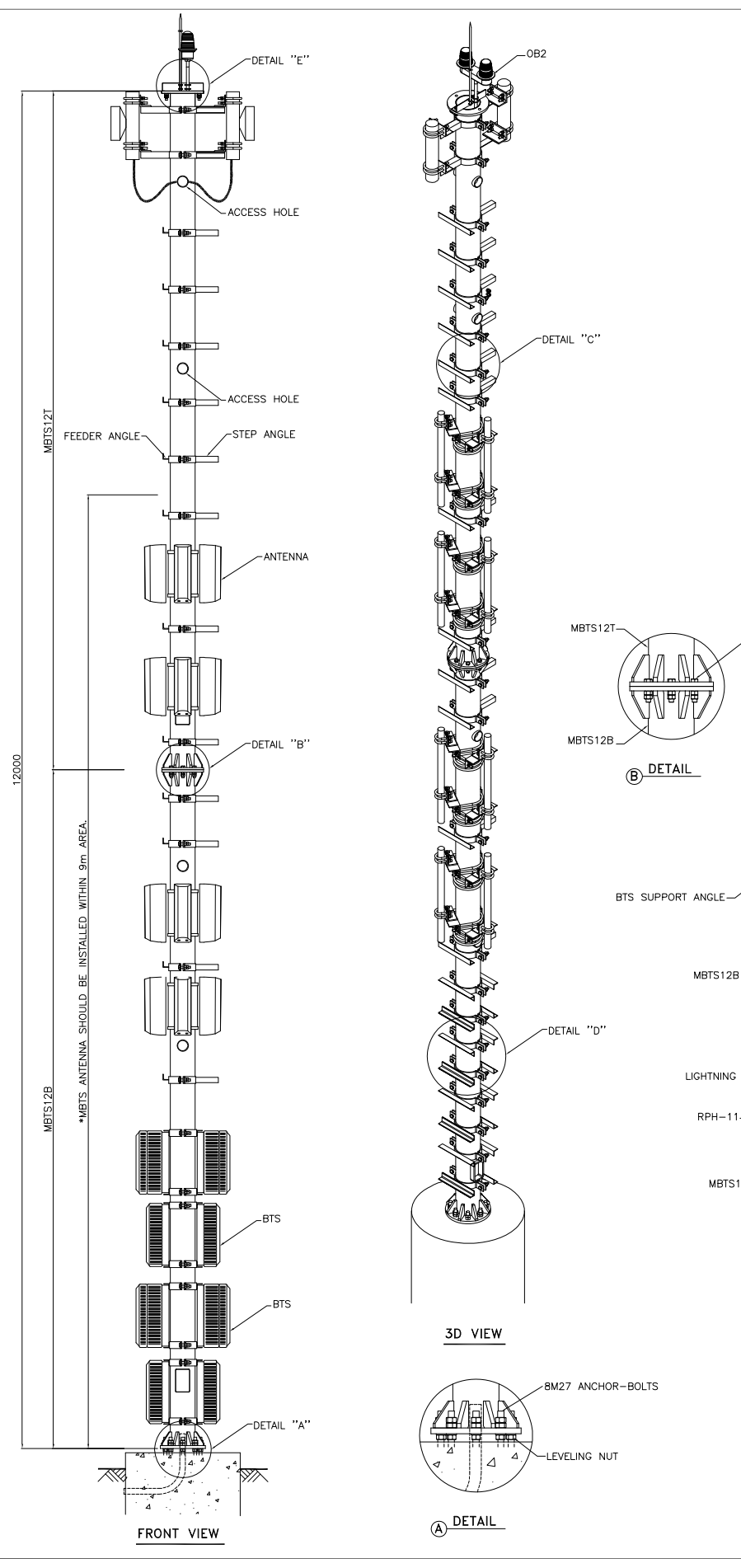


بسمه تعالی

# فراخوان ایده و طرح زیبا سازی برای دکل های مخابراتی همراه اول در سطح شهر تهران

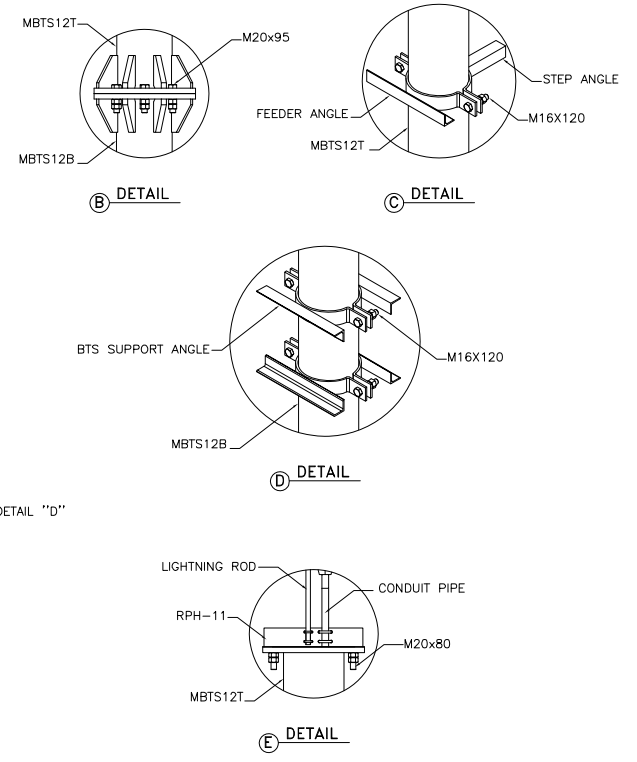
کارفرما : شرکت نقش اول کیفیت

نوع دکل : زمینی Micro Site



BILL OF MATERIALS			
ITEM No.	QTY.	P/N	DESC.
1	1	MBTS12T	TOP PIPE
2	1	MBTS12B	BOTTOM PIPE
3	12	SA	STEP ANGLE
4	12	FA	FEEDER ANGLE
5	16	BSA	BTS SUPPORT ANGLE
6	1	RPH-11	-
7	1Set	-	OB2 LIGHT
8	1	-	1.5m-LIGHTNING ROD
9	1	-	300mm-CONDUIT PIPE
10	40	M16x120	** GR.8.8
11	8	M20x95	** GR.8.8
12	2	M20x80	** GR.8.8
13	2	M8-43	U-bolt for lighting connection
14	2	M8-28	U-bolt for lightning rod connection

\*\* ALL BOLTS SHOULD HAVE TWO NUT & FLAT WASHER

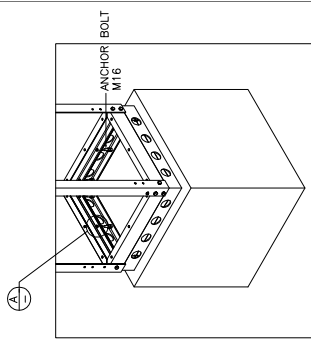
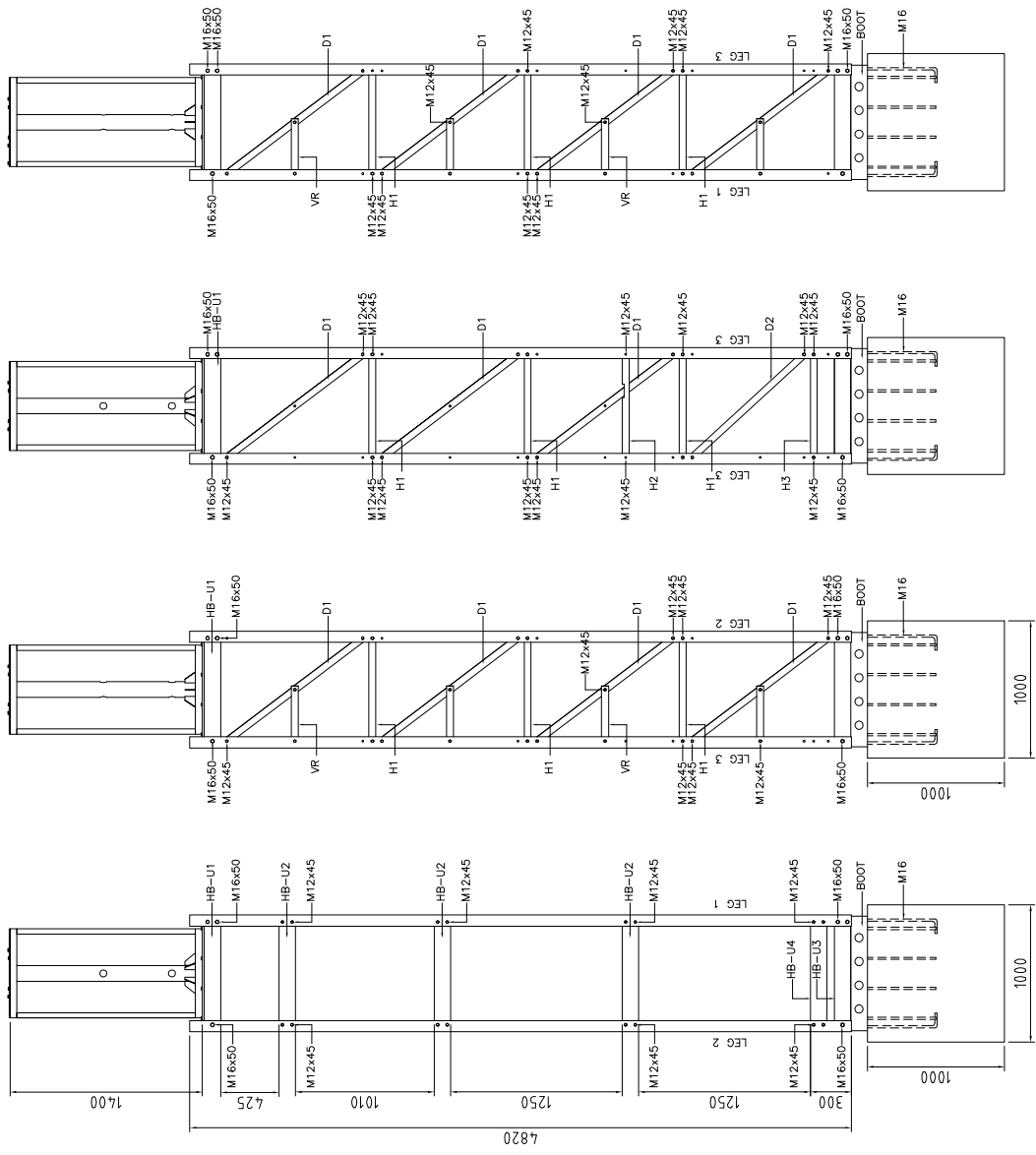
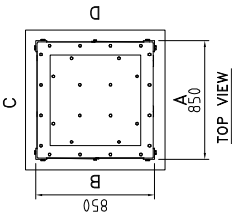


DIMENSIONS : mm. OTHERWISE SPECIFIED

<b>Micro Tower Type 1</b>			
CUSTOMER: <b>NAK</b>			
TITLE : <b>INSTALL DRAWING FOR MICRO-BTS POLE 12m-FPA=9 m<sup>2</sup></b>			
REV.	DESCRIPTION		VDR
-	-		-
DRAWN BY	S.KH.	SCALE:	REV DATE: Jun.21.2015
CHK'D BY	A.S.	PROJECT No.	DWG. No.
MANUF. APR.	S.Y.	-	MBTS12-SA-INS
APR'D BY	J.S.	-	03

BILL OF MATERIALS			
ITEM No.	QTY.	P/N	DESC.
1	1	LEG 1	-
2	1	LEG 2	-
3	2	LEG 3	-
4	4	HB-U1	HORIZONTAL BRACE
5	3	HB-U2	HORIZONTAL BRACE
6	4	HB-U3	HORIZONTAL BRACE
7	1	HB-U4	HORIZONTAL BRACE
8	9	H1	HORIZONTAL BRACE
9	1	H2	HORIZONTAL BRACE
10	1	H3	HORIZONTAL BRACE
11	11	D1	DIAGONAL BRACE
12	1	D2	DIAGONAL BRACE
13	8	VR	DIAGONAL BRACE
14	1 Set	BOOT	-
15	78	M12x45	** BRACE BOLT-GR.8.8
16	36	M16x50	** BRACE BOLT-GR.8.8
17	12	M16	ANCHOR BOLT

\*\* ALL BOLTS SHOULD HAVE TWO NUT & FLAT WASHER



CUSTOMER: **NAK**

TITLE: DRAWING FOR NEW MBTS TOWER

REV	DESCRIPTION	V.D.R.
-	-	-
DRAWN BY	SCH. SCALE	REV DATE
DESIGNED BY	PROJECT No.	DMG. No.
CHECKED BY	94-282	WORD SHEET#888-MS-LATTICE
FINAL APPD	J.S.	00

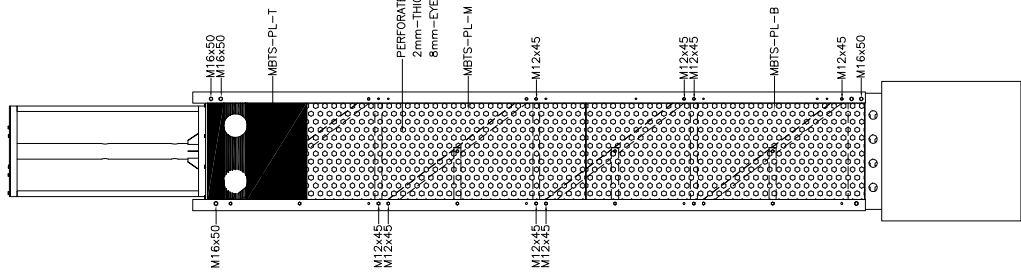
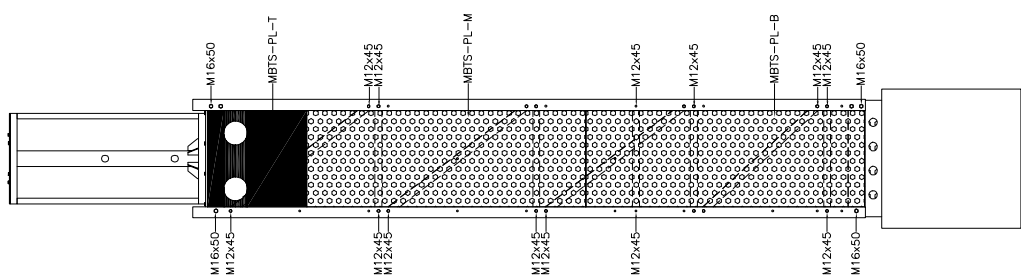
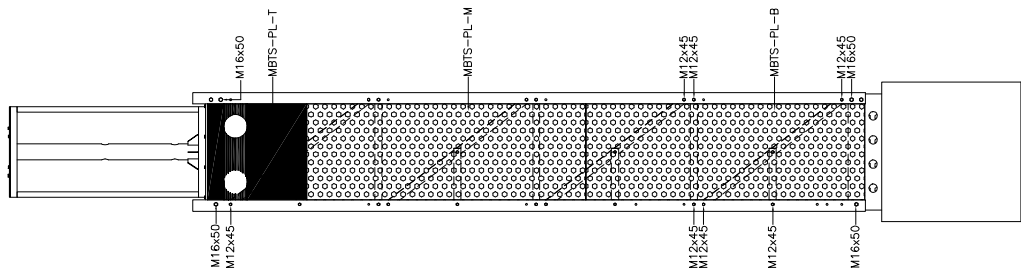
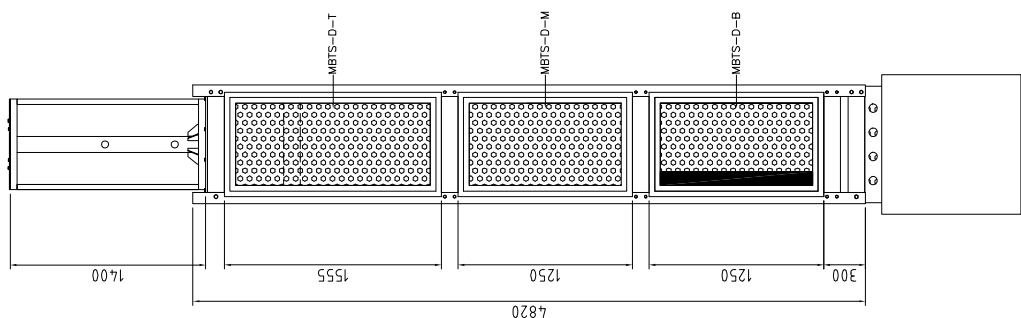
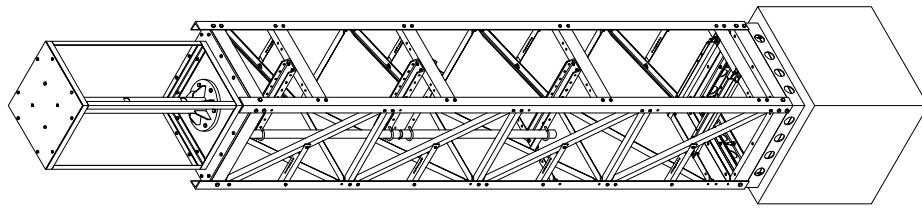
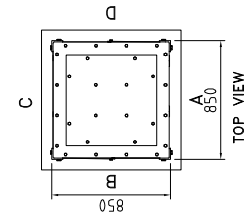
FACE D

FACE C

FACE B

FACE A

3D VIEW



**BILL OF MATERIALS**

ITEM No.	QTY.	P/N	DESC.
1	3	MBTS-PL-B	-
2	3	MBTS-PL-M	-
3	3	MBTS-PL-T	-

\*\* ALL BOLTS SHOULD HAVE TWO NUT & FLAT WASHER

Micro Tower Type 2

CUSTOMER: **NAK**

TITLE: DRAWING FOR NEW MBTS TOWER

REV	DESCRIPTION	V.D.R
-	-	-

DRAWN BY	SCALE	REV DATE
-	-	Jun.07.2015

DESIGNED BY	PROJECT No.	DWG. No.	REV.
-	-	-	-

CHECKED BY	J.S.	94-282	MICRO STEERING-INS-PLATES	00
-	-	-	-	-