

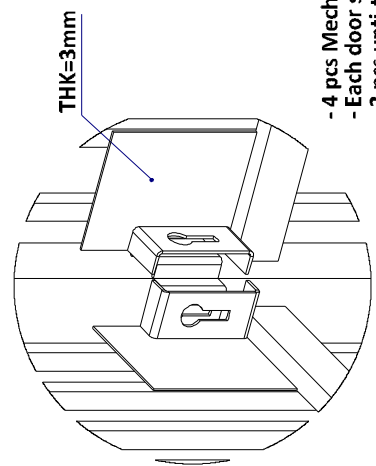
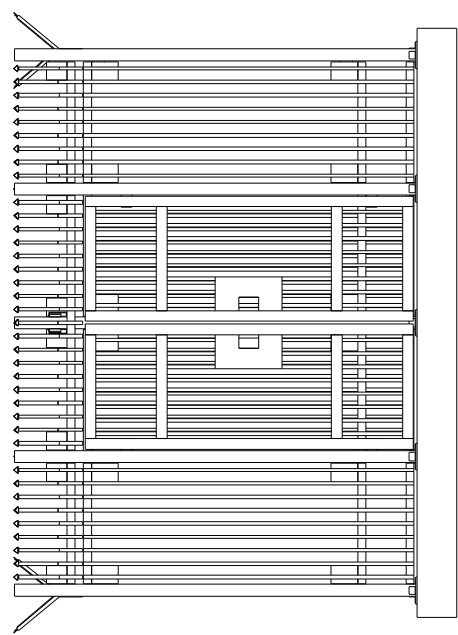
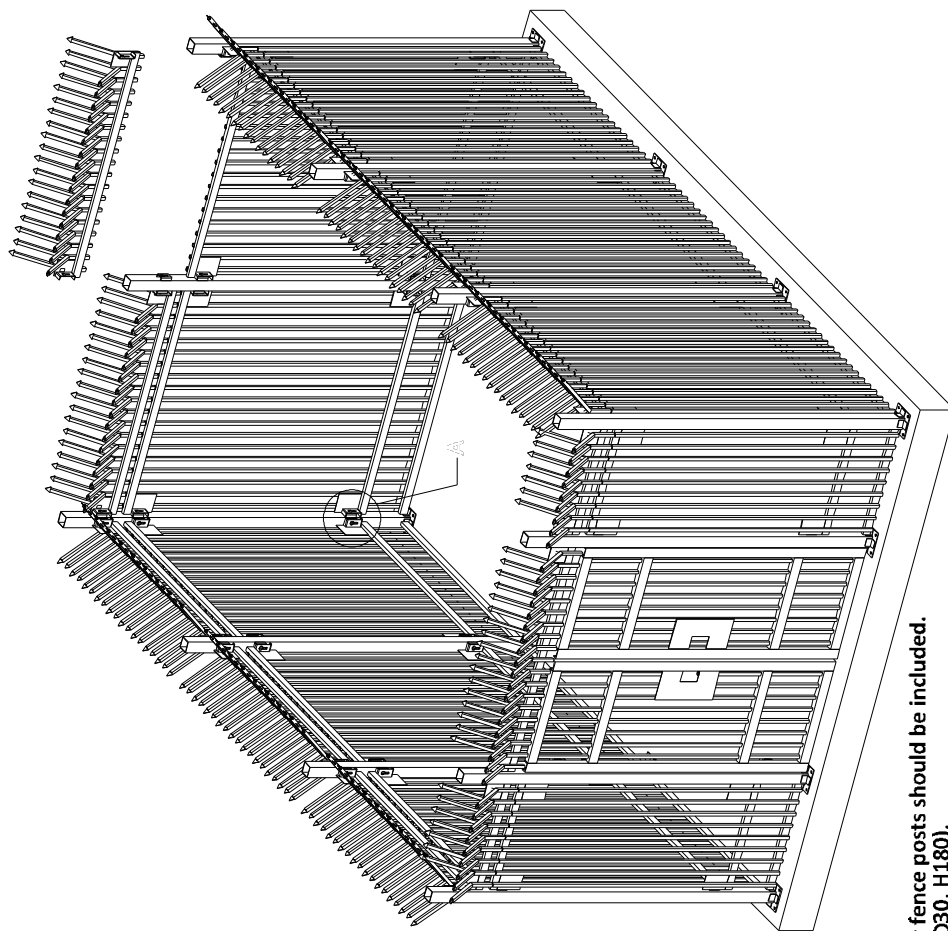


بسمه تعالی

فراخوان ایده و طرح زیبا سازی برای دکل های مخابراتی همراه اول در سطح شهر تهران

کارفرما : شرکت نقش اول کیفیت

نوع درخواست : فنس محوطه سایت



- 4 pcs Mechanical Roll-bolt M16 for fence posts should be included.
- Each door should have 3 hinges (D30, H180).
- 2 pcs anti-theft pad lock should be included.
- 2 pcs door latch should be installed up and down to be fixed on ground and top panel.
- A metal PL 2450*30*3 should be welded on door to hide doors gap.
- No gap should be between panels and fence posts.

DETAIL A
SCALE 1 : 8

DWG NO:	DRAWING TITLE: MCI-Normal fence		
	Customer: MCI	NAME	DATE
SCALE: 1:100	WEIGHT:	DRAWN CHK'D	
SHEET 1 OF 1		A4	